

> We are DEVELON

We trace our roots to 1937 as one of Korea's first large scale machine plant. Throughout time we have consistently delivered exceptional products and solutions.

DEVELON is a bold name that reflects our core ambition to continue developing onwards and leaving behind a positive footprint in our world. Moving forward, we seek to be part of our customers and partners' endeavor to build a better world.

Powered by **Innovation**



©2023 HD Hyundai Infracore. All rights reserved.
HDIPBE-01-2305

Certain specification(s) are based on engineering calculations and are not actual measurements. Specification(s) are provided for comparison purposes only and are subject to change without notice. Specification(s) for your individual Develon equipment will vary based on normal variations in design, manufacturing, operating conditions, and other factors. Pictures of Develon units may show other than standard equipment.

develon-ce.com

DEVELON

Excavators

DX200A-7M



Photos may include optional equipment

PURPOSE-BUILT

DX200A-7M

**Perfectly Fitted for Urban Life,
Perfectly Tailored to Works with Speed**

Don't be attracted to superficial glow of massive body or the empty formality of mere power of others when there is a perfectly fitted one for you.

Perfectly fitted in the work of urban environment. Every DX200A-7M is designed to excel in specialized area of performance, speed and efficiency. Purposed built to be suitable for entering virtually any narrow workplace. Its enhanced speed and maneuverability ensure you to cut short on time in clogged road or picky conditions.

Smaller but not lesser. Discover new possibilities made by agile and efficient DX200A-7M.



IMPECCABLE, IN EVERY WAY

The Evolution of Steady-Seller All New DX200A-7M Hydraulic Excavator



Setting The Standard

From the moment the first DX225LCA-7M launched, it quickly became one of the most powerful excavators in its class. The latest iteration of steady seller, DX200A-7M has finally reached the level of perfection. Including all the advantages of the previous best-selling model, proven power and performance, the new DX200A-7M now offers additional value to the operator. Introduction of VBO system maximized fuel efficiency. Low fuel cost, upgraded powerful performance, operator comfort and easy maintenance all combined to guarantee the best performance.

Ultimate performance is not only achieved through the engine power. The new DX200A-7M equipped with fortified structure and cutting-edge technology. New level of interior comfort and a range of attachment options to suit your environment. All the craftsmanship details and techniques planted to maximize its performance, yet the whole excavator exceed the sum of its exceptional parts. Experience all the values merged into apparatus.

Develon has always committed to increase the optimum return on your investment and maximizing uptime. We are ready to show you all the progress we made.

HIGH PERFORMANCE

DX200A-7M, as an epitome of 22ton excavator, has always gained global recognition for powerful performance. Develon's engine has finally reached the highest level, going through numerous innovation. Digging force and lifting capacity ever more advanced than its predecessor. Elevating the concept of excavator. Still boasting the best power. Experience the new DX200A-7M and all the progress.

LOW FUEL COST

Increased productivity and decreased fuel consumption. We proudly introduce Develon's cutting-edge technology, VBO (Virtual Bleed Off) system. VBO System combined all the best aspects of existing hydraulic systems. This new system electronically controls the pump, to generate the virtual hydraulic flow. Along with Develon's unrivalled tuning technique, operator can reduce fuel consumption up to 14% compared to previous model.

HIGH DURABILITY

New DX200A-7M gained customer's credibility by reaching the incredible durability. Hydraulic components and engine tank strengthened by using reinforced material. Frames and structures armed with robust design to stand whatever lies ahead. 20 ton class tail frame applied and counterweight mounting structure also improved. Every detail applied strict criteria to raise the quality to the next level.

EASY MAINTENANCE

Maintain this superior apparatus as the way it was. We lowered the entry barrier of maintenance. The strength of mechanical engine – easy maintenance became easier. Engine part could be reached by ground access. Other features also offer simple and easy access thanks to a wide panel. Via DEVELON Fleet Management service, you can always be connected to your vehicles. TMS offers information including location, operational condition, engine and hydraulic system. You can be informed of the component's operational data in hourly cycle, without the trouble to open up the panel of your excavator.

WE ARE BACK WITH NEW FEATURES

All The Nice Features of Previous Model
Bodily Succeeded, Even Nicer Things to Come.

DEVELON FLEET MANAGEMENT (OPTIONAL)

- Offering preventive maintenance service based on web data.
- Provides an expert level consultation to dealers.
- Functions as fleet management tool for the customers.

ERGONOMICALLY DESIGNED PEDAL

- Ergonomically designed pedals placed at both ends.
- Reducing fatigue and to lessen the load of operator.

ELECTRIC PUMP CONTROL SYSTEM

- Electronically control the pump by generating virtual hydraulic flow.
- Effectively reduce fuel consumption.

NEW LOOK & ENHANCED STRUCTURE

- Applied new decal and changed counterweight design. Featured with stable and segmented bonnet mounting, reinforced counterweight and track frame.

OPG (OPERATOR PROTECTIVE GUARD) (OPTIONAL)

- Design changed for better visibility.

FORTIFIED STRUCTURE

- Reinforced counterweight and track frame.
- Stable, segmented bonnet mounting.
- Enhanced corrosive and wear resistance – bucket pin link -Y seal.

VERSATILITY & VARIOUS ATTACHMENT

- Two pump option for high flow attachment.
- New bucket line up : R2H +, R2S +.

MORE COMFORT

- Fully adjustable suspension seat and air conditioning function
- DAB (Digital Radio Broadcasting, Optional), Microphone
- Head lamp placed near to the cabin door. It helps operators to secure visibility with less shadow.

NEW 8-INCH TOUCH MONITOR

- Bigger LCD monitor with user-friendly touch screen panel.
- Allowing easy access to machine settings and maintenance data.

IMPROVED AIR FLOW SYSTEM FOR DEFROSTING AND AIR CONDITIONING

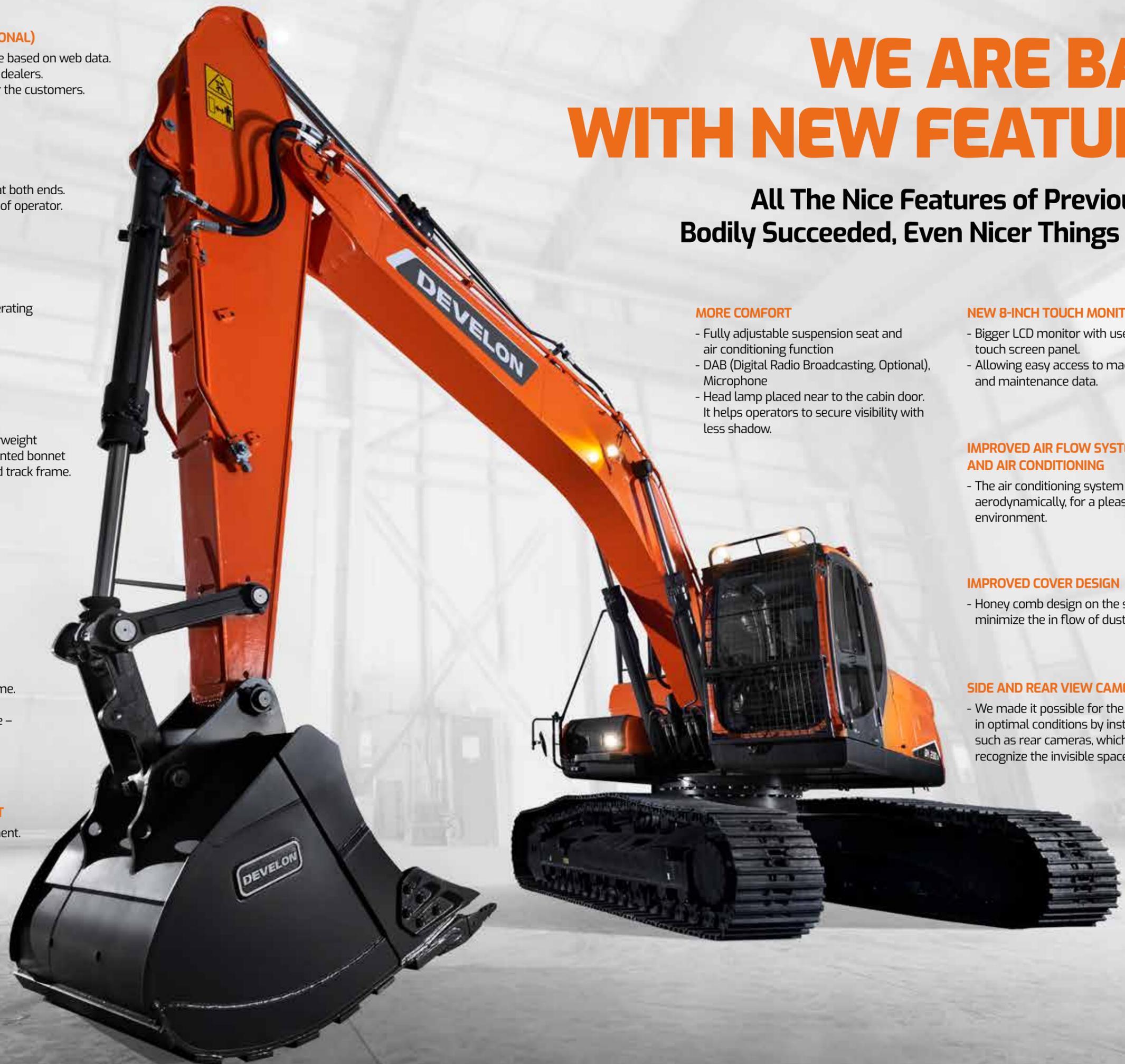
- The air conditioning system has also improved aerodynamically, for a pleasant working environment.

IMPROVED COVER DESIGN

- Honey comb design on the side door to minimize the in flow of dust.

SIDE AND REAR VIEW CAMERA (OPTIONAL)

- We made it possible for the operator to proceed in optimal conditions by installing devices such as rear cameras, which make it easy to recognize the invisible space.



EXCLUSIVELY, FOR OPERATOR

Ergonomically Designed Features and Enhanced Controllability Maximize Operator's Satisfaction

Some of DX200A-7M strongest performance don't even come from the engine. At first glance and upon closer inspection, DX200A-7M shows what is important in the construction industry. Every part of spacious cabin interior is the result of Develon's endeavor to see things in the operator's point of view.

Exclusive interior with its new gauge panel and high ergonomic design. Enhancing better visibility, air conditioning system for intuitive controllability and comfort. Also assuring operator's safety by establishing protective and adaptive working environment. Thinking about all the possible outbreaks you can have, we went ahead and fitted some of the advanced safety systems into equipment.

To be an office on wheels and your smart work partner at same time. The best seat is reserved for the operator.





1

1. NEW 8-INCH MONITOR

Bigger LCD monitor with user-friendly touch screen panel, allowing easy access to machine settings and maintenance data.



2

2. ERGONOMICALLY DESIGNED PEDAL

Ergonomically designed pedals placed at both ends. Pedal angle adjusted to relieve the pressure on ankle and joints, reducing fatigue and to lessen the load of operator.



3

3. HEAD LAMP

Head lamp placed near the cabin door which secures operator's visibility by preventing the shadow. This new head lamp system contributes to enhanced safety through improved illumination of the way. Enhances driving comfort and driving safety.



4

4. AIR CONDITIONING AND DEFROSTING SYSTEM

Aerodynamically designed air conditioner equipped for inner climate control.



5

5. CONTROL LEVER

Precise control of the equipment increases versatility, safety and facilitates tricky operations requiring great precision. Leveling operations and the movement of lifted load made easier and safer.



6

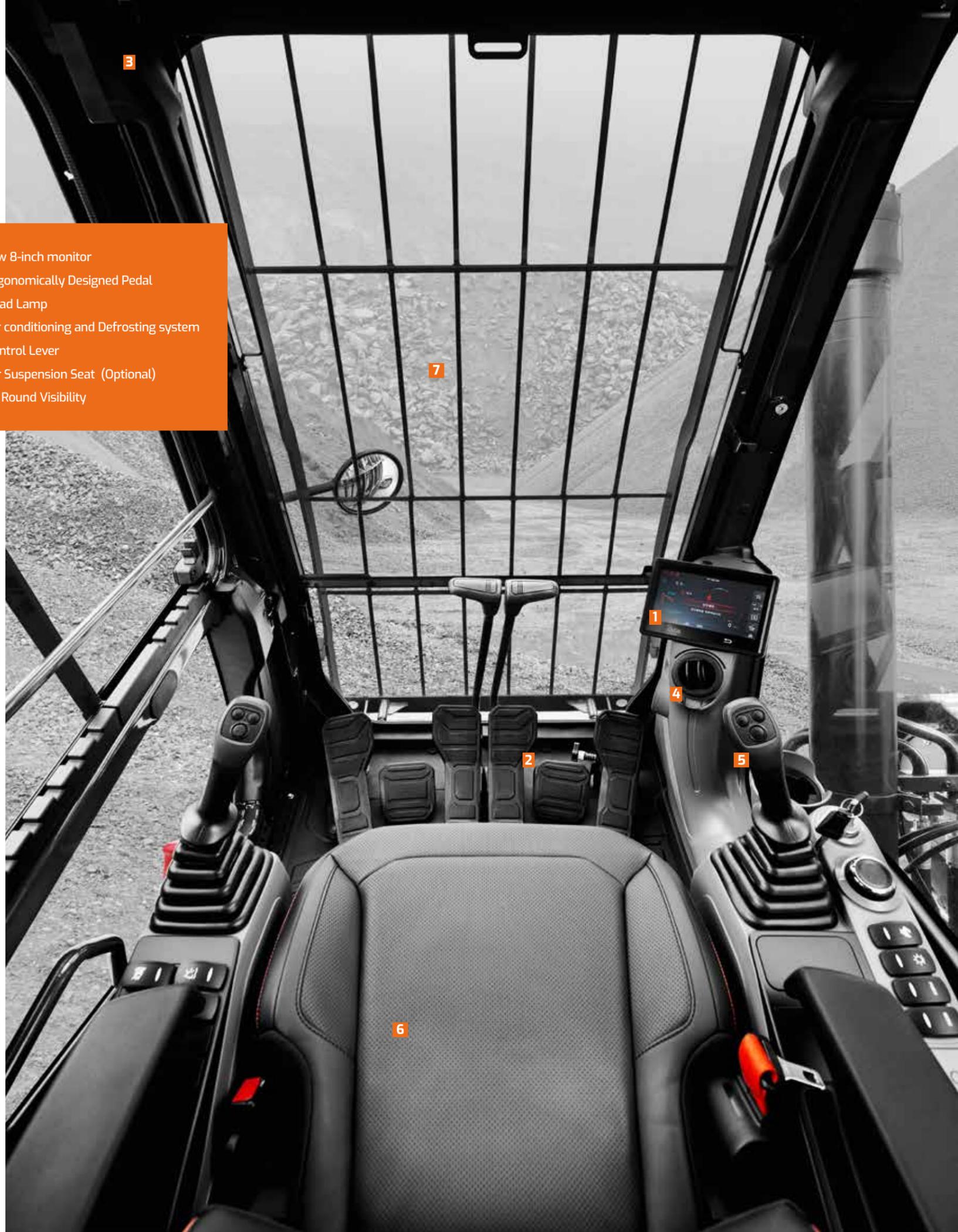
6. AIR SUSPENSION SEAT (OPTIONAL)

Equipped with various functions including the adjustment forth and back. Lumbar support effectively reduces the vibration of apparatus during work. Considering the cold environment, seat heating function also equipped in seat.

7. ALL ROUND VISIBILITY

Enlarged front shield assures best possible all-around visibility. Panoramic cabin windows and suitable seat position assists on safety and controllability promotion via enhanced lower part of visibility on side position. In crowded city streets or in hazardous construction workplace, operator can get better control and command of surroundings.

- 1. New 8-inch monitor
- 2. Ergonomically Designed Pedal
- 3. Head Lamp
- 4. Air conditioning and Defrosting system
- 5. Control Lever
- 6. Air Suspension Seat (Optional)
- 7. All Round Visibility



3

7

1

4

5

2

6

ADVANCE AT GLANCE

HONED FOR FUEL EFFICIENCY

More efficiency means more action. DX200A-7M makes you find the perfect tailored model for your environment and working style. Engine, pump matching technology adjoined with right combination of technologies, guarantee 15% improved fuel efficiency.

DURABILITY IN EVERY DETAIL

Keeping the excellent performance with added durability and quality on structure components. Computer assisted design technique applied to remote possibilities in hydraulic system and frame structures. Undercover mounting fortified and track idler bracket reinforced. Advanced undercarriage with strengthen sprocket structure and tooth. The torsionally flexible D-type frame and X-chassis frame add strength and minimize distortion to the shock.



MAINTENANCE

Easy Maintenance, Start at Once. Smart Maintenance, All by Itself

Maintain this superior equipment as the way it was. Safe and easy maintenance feature facilitates apparatus to operate in best condition at long intervals. DX225LCA-7M allows easy access to engine component parts and short maintenance procedure. Familiar and intuitive. DEVELON Fleet Management provides you the operational machine data in an hourly cycle. You can even control most functions outside the equipment.



1. SIMPLE MECHANICAL ENGINE

- In-house mechanical engine with approachable structure
- Engine bonnet equipped with wide open side panel

2. EASY ACCESS TO DAILY MAINTENANCE POINTS

- Wide open panels allowing easy access to service points**
 - Allowing quick replacement filters and daily maintenance check easier
- Easily accessible filter located at ground level**
 - Located at ground level with wide open side doors
- Centralized grease inlets for easy maintenance**
 - The boom & arm grease inlets are grouped for easy access

3. LARGE GUARD RAILS (OPTIONAL)

- Assuring operator's safety during the work hour
- Easy access / Anti skid

4. DEVELON FLEET MANAGEMENT (TMS SYSTEM)

- Maintenance data be directly available from control panel
- Allows daily maintenance check easier



ENGINE OIL FILTER

Engine oil filter offers a high level of filtration, lengthen the oil change interval to 500 hours. Positioned in place which is resistant to contamination and impervious in environment condition, but easy to access for filter change.



EASY MAINTENANCE ON RADIATORS

Approach to various radiator is easy, making cleaning easier. Engine part accessibility is also enhanced, can be checked through via top and side panels.



HYDRAULIC OIL RETURN FILTER

Glass fiber filter technology filtering out up to 99.5 % of impurities, increasing oil change interval.



AIR CLEANER

Air cleaner of large capacity removes 99 % of airborne particles, reducing the risk of engine contamination.



WATER SEPARATOR

Highly efficient water separator in fuel to prevent engine damage by removing moisture. Reducing the risk of external engine contamination and lengthen the engine's lifespan.



PRE-CLEANER

Rotor type dry pre-cleaner attached as a standard option.

DEVELON FLEET MANAGEMENT

Telematics Service (OPTIONAL)

TELECOMMUNICATIONS Data flow from machine to web



TELEMATICS TERMINAL

Terminal device is installed and connected to a machine to get machine data.

TELECOMMUNICATION

DEVELON provides Dual mode (Cellular, Satellite) communication to maximize communication coverage

DEVELON FM WEB

User can monitor machine status from DEVELON FM Web

TELEMATICS SERVICE BENEFITS Develon and dealer support customers to improve work efficiency with timely and responsive services

CUSTOMER

Improve work efficiency

- Timely and preventive service
- Improve operator's skills by comparing work pattern
- Manage fleet more effectively

DEALER

Better service for customers

- Provide better quality of service
- Maintain machine value
- Better understanding of market needs

DEVELON

Responsive to customer's voice

- Utilize quality-related field data
- Apply customer's usage profile to developing new machine

FUNCTIONS (WEB/APP) Develon Telematics Service provides various functions to support your great performance



FUNCTION	EXCAVATOR	WHEEL LOADER	ADT
GPS	All models	All models	All models
Operation hours	All models	All models	All models
Maintenance parts	All models	All models	All models
Fault code / Warning	All models	All models	All models
Fuel information	All models	All models	All models
Dump capacity	N/A	N/A	All models

GLOBAL PARTS NETWORK

QUALITY-PROVEN MAIN COMPONENTS

Develon provides fast and precise worldwide delivery of genuine Develon parts through its global PDC (parts distribution center) network.

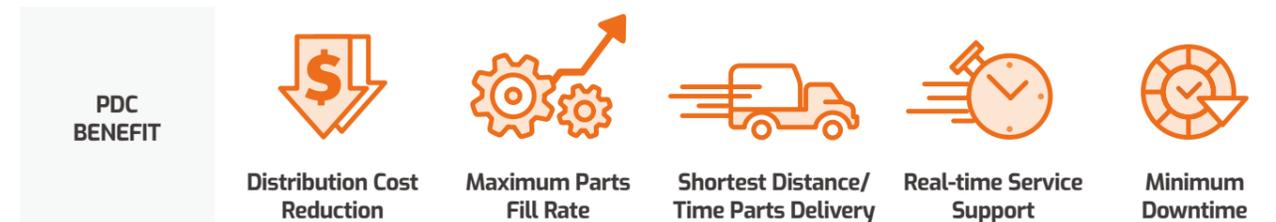


GLOBAL NETWORK

The global network of the GPDC (Global Parts Distribution Center) maximizes its fill rate by making sure that each center is stockpiled with all the critical parts required for businesses in its area. The network also minimizes the time and costs required for parts delivery by positioning PDCs close to major markets around the world. Develon PDCs communicate with customers in their time zone, informing them that they are open for operation, and deliver parts to them as early as possible.

THE GLOBAL PARTS DISTRIBUTION CENTER NETWORK

PDCs had been set up as shown below, including Mother PDC in Ansan, Korea. The nine other PDCs include one in China (Yantai), three in USA (Atlanta, Seattle and Miami), two in Europe (Germany and the UK), one in the Middle East (Dubai) and two in Asia (Singapore and Indonesia).



TECHNICAL SPECIFICATION

ENGINE

Model

Develon DB58TIS
2 valves per cylinder, vertical injectors, water cooled, turbo charged with air to air intercooler. The emission levels are well below the values required for Tier-II.

Number of cylinders

6

Nominal flywheel power

GROSS POWER : 113.2 kW (154 PS, 152 HP) @ 1,800 rpm (SAE J1995)
NET POWER : 105.3 kW (143.2 PS, 140 HP) @ 1,800 rpm (SAE J1349)

Max torque

66 kgf.m @ 1,400 rpm

Piston displacement

5,785 cc (353 cu.in)

Bore & stroke

102 mm x 118 mm (4.0" x 4.6")

Starter

24 V / 4.5 kW

Batteries

2 X 12 V / 100 Ah

Air cleaner

Double element with auto dust evacuation.

HYDRAULIC CYLINDERS

The piston rods and cylinder bodies are made of high-strength steel. A shock absorbing mechanism is fitted in all cylinders to ensure shockfree operation and extend piston life.

Cylinders	Quantity	Bore x Rod diameter x stroke
Boom	2	120 x 85 x 1,263 mm
Arm	1	135 x 95 x 1,443 mm
Bucket	1	120 x 80 x 1,060 mm

WEIGHT

Boom 5,700 mm (18'8") Arm 2,900 mm (9'6") Bucket SAE H Class 0.92 m³ (1.20 yd³)

	Shoe width	Operating weight	Ground pressure
Triple Grouser	(Std) 600 mm (2')	20,700 kg (45,636 lb)	0.49 kgf/cm ²
	800 mm (2' 8")	21,200 kg (46,958 lb)	0.38 kgf/cm ²

HYDRAULIC SYSTEM

The heart of the system is the EPOS™ (Electronic Power Optimizing System). It allows the efficiency of the system to be optimized for all working conditions and minimizes fuel consumption.

- The hydraulic system enables independent or combined operations.
- Two travel speeds offer either increased torque or high speed tracking.
- Cross-sensing pump system for fuel savings.
- Auto deceleration system.
- Two operating modes, two power modes.
- Button control of flow in auxiliary equipment circuits.
- Computer-aided pump power control.

Main pumps

2 variable displacement axial piston pumps
Max flow : 2 x 222.3 l/min

Pilot pump

Gear pump - max flow : 27 l/min

Maximum system pressure

Front

Normal mode : 350 kgf/cm²
Power mode : 370 kgf/cm²
Travel : 370 kgf/cm²
Swing : 270 kgf/cm²

SWING MECHANISM

- An axial piston motor with two-stage planetary reduction gear is used for the swing.
- Increased swing torque reduces swing time.
- Internal induction-hardened gear.
- Internal gear and pinion immersed in lubricant bath.
- The swing brake for parking is activated by spring and released hydraulically.

Swing speed : 0 to 10.8 rpm

UNDERCARRIAGE

Chassis are of very robust construction, all welded structures are designed to limit stresses. High-quality material used for durability. Lateral chassis welded and rigidly attached to the undercarriage. Track rollers lubricated for life, idlers and sprockets fitted with floating seals.

Tracks shoes made of induction-hardened alloy with double grouser. Heat-treated connecting pins. Hydraulic track adjuster with shock-absorbing tension mechanism.

Number of rollers and track shoes per side

Upper rollers : 2 (Standard Shoes)

Lower rollers: 7

Shoes : 45

Total length of track : 4,065 mm (13' 3")

DRIVE

Each track is driven by an independent axial piston motor through a planetary reduction gearbox. Two levers with control pedals guarantee smooth travel with counter rotation on demand.

Travel speed (fast / slow)

5.9 / 3.2 km/h (3.7 / 2.0 mph)

Maximum traction force

10,300 / 22,500 kgf (22,708 / 49,604 lbf)

Maximum grade

35 (70%)

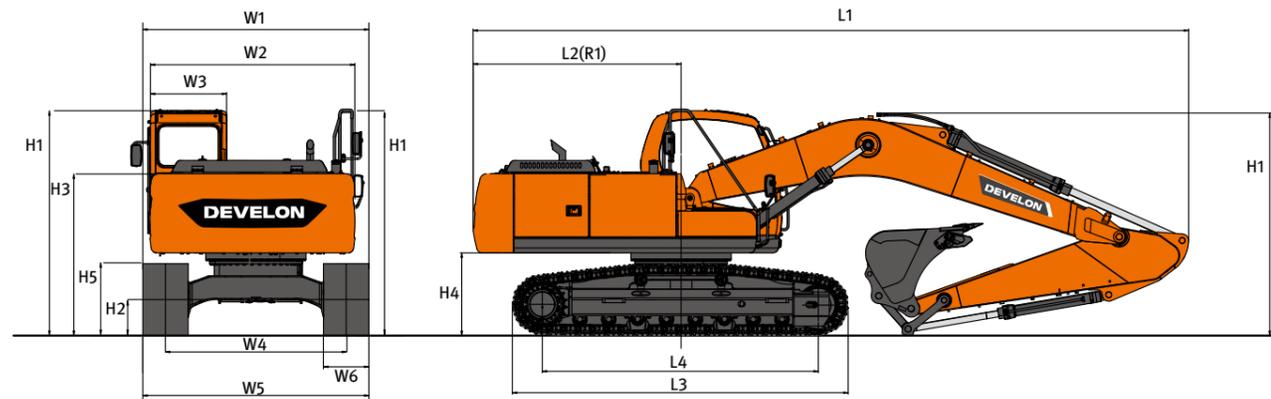
BUCKET

Bucket Type	Capacity (m ³)		Width (mm)		C/W (ton)	3.8
	SAE/PCSA	CECE	W/O Cutter	With Cutter	SHOE (mm)	600
GP					Weight (kg)	5.7m Boom
						2.9m Arm
GP	0.39	0.35	825	736	345	-
	0.51	0.47	768	722	549	A
	0.81	0.72	1,125	1,065	684	A
	0.92	0.81	1,233	1,173	724	B
	1.05	0.92	1,369	1,309	776	C
R1H	0.92	0.80	1,198	1,264	740	B
	1.05	0.90	1,331	1,397	787	C
	1.17	1.03	1,453	1,519	848	D
DC	0.54	0.46	1,800	-	358	-
R1S	1.05	0.92	1,331	1,397	990	D
R2H	0.92	0.83	1,050	1,096	867	B
	1.08	0.97	1,200	1,246	939	D
	1.24	1.11	1,350	1,369	1,011	D
R2H+	1.08	0.97	1,200	1,246	1,033	D
	0.91	0.82	1,050	1,094	1,078	C
R2S	1.07	0.96	1,200	1,244	1,182	D
	Maximum load pin-on(payload+bucket)					2533

Based on ISO 10567 and SAE J296, arm length without quick change clamp
A : Suitable for materials with density of 2,100kg/m (3,500lb/yd) or less
B : Suitable for materials with density of 1,800kg/m (3,000lb/yd) or less

C : Suitable for materials with density of 1,500kg/m (2,500lb/yd) or less
D : Suitable for materials with density of 1,200kg/m (2,000lb/yd) or less
X : Not recommended

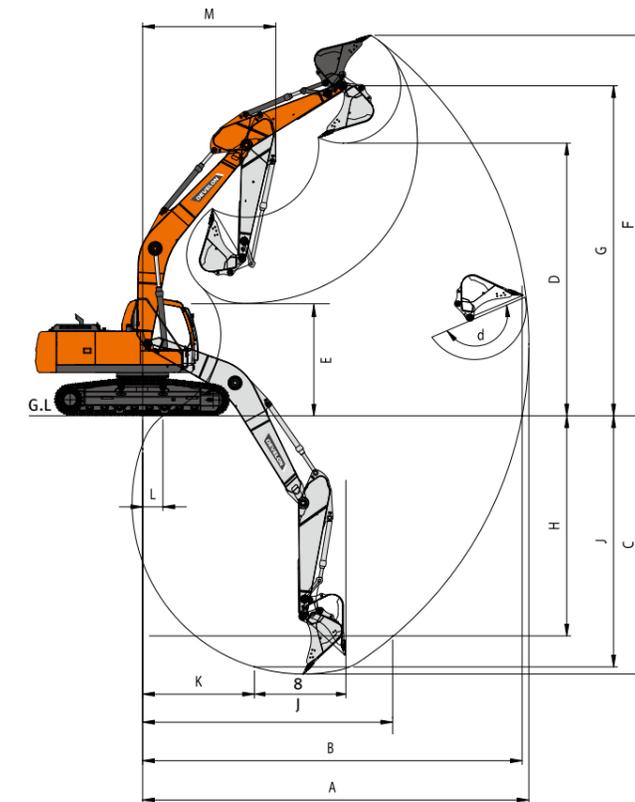
DIMENSIONS



Model		DX200A-7M			
Boom		mm	5,700		
Arm		mm	2,900		
Bucket (PCSA)		m ³	0.92		
Undercarriage (Track+Grouser)		mm	STD+TG		
Overall	L1	Overall Length	mm	9,570	
	L1'	Overall Length w/o Front	mm	4,871	
	H1	Overall Height	Boom	mm	2,890
			Hose	mm	3,005
			Cabin	mm	2,980
			Hand / Guard Rail	mm	3,190
	W1	Overall Width	mm	2,990	
	R1	Rear Swing Radius	mm	2,909	
	H2	Ground Clearance*	mm	*450.5	
	Swing Body	W2	House Width	mm	2,710
W3		Cabin Width	mm	1,010	
H3		Height Over Cover	mm	2,140	
H4		Counterweight Clearance*	mm	*1,066	
H5		Track Height*	mm	*883	
Undercarriage	L3	Track Length	mm	4,065	
	L4	Tumbler Distance	mm	3,270	
	Track Gauge		mm	2,200	
	W5	Undercarriage Width	STD / LC	mm	2,800
	W6	Shoe Width	mm	600	
	Grouser Height		mm	26	

*without Grouser

WORKING RANGES



BOOM LENGTH	mm	5,700
ARM TYPE	mm	2,900
BUCKET TYPE (SAE / PCSA)	m ³	0.92
A MAX. DIGGING REACH	mm	9,865
B MAX. DIGGING REACH (GROUND)	mm	9,695
C MAX. DIGGING DEPTH	mm	6,590
D MAX. DUMPING HEIGHT	mm	6,830
E MIN. DUMPING HEIGHT	mm	2,500
F MAX. DIGGING HEIGHT	mm	9,620
G MAX. BUCKET PIN HEIGHT	mm	8,270
H MAX. VERTICAL WALL DEPTH	mm	5,525
I MAX. RADIUS VERTICAL	mm	6,415
J MAX. DIGGING DEPTH (B'LEVEL)	mm	6,395
K MIN. RADIUS B' LINE	mm	2,820
L MIN. DIGGING REACH	mm	575
M MIN. SWING RADIUS	mm	3,560
D. BUCKET ANGLE (DEG)	°	177

STANDARD & OPTION

STANDARD EQUIPMENT

Boom & Arm

- 5.7 m Boom
- 2.9 m Arm

Hydraulic System

- Boom and arm flow regeneration
- Boom and arm holding valves (MCV)
- Swing anti-rebound valves
- Spare ports (Control valve)
- One-touch power boost

Cabin & Interior

- All weather sound suppressed type cab
- Air conditioner & Heater
- Adjustable suspension seat with head rest and adjustable arm rest
- Pull-up type front window and removable lower front window
- Room light
- Intermittent windshield wiper
- Cup holder
- Hot & Cool box
- LCD color monitor panel (8 inch touch screen)
- E/G RPM control dial
- AM/FM radio + MP3 (USB)
- Remote radio ON / OFF switch
- 12 V, 24 V power socket
- Serial communication port for laptop PC interface
- Joystick lever with 3 switches
- Fabric seat

Safety

- Large handrails and step
- Convex metal anti-slip plates
- Seat belt
- Hydraulic safety lock lever
- Safety glass
- Hammer for emergency escape
- Right and left rearview mirrors
- Travel alarm

Others

- Double element air cleaner
- Dry type pre cleaner
- Dust screen for radiator / oil cooler
- Engine overheat prevention system
- Engine restart prevention system
- Self-diagnostic system
- 80 A Alternator (24 V, 50 amps)
- Halogen working lights (frame mounted 1, boom mounted 5)
- Hydraulic track adjuster
- Greased and sealed track link
- Hydraulic oil tank air breather filter
- Long & Fixed track

OPTIONAL EQUIPMENT

Some of optional equipments may be standard in some markets. Some of this optional equipment are not available in some markets. You must check with the local Develon dealer to know about the availability or to release the adaptation following the needs of the applications

Safety

- Boom and arm hose rupture protection valve
- Overload warning device
- FOGS (ISO 10262, FOGS standard)
- Cabin Front Upper / Lower Guard
- Travel & swing alarm
- Rotating beacon
- Side & Rear view camera
- LED lights

Cabin & Interior

- Air suspension seat
- Rain Shield
- High seat Mount
- Breaker pedal
- ROPS / FOGS Cabin
- Cabin front guard (Upper and lower guard)
- Steel roof cover
- Additional mirror
- DAB Audio

Others

- Piping option
 - Piping for Two-way
 - Piping for Breaker
 - Piping for Quick clamp
 - Piping for Rotating(PERO)
 - Quick coupler
- 600mm / 800mm shoe
- Lower wiper
- Fuel filler pump
- Working Lights
 - 4-front / 2-rear on cabin
 - 2-front on cabin
 - 1 on counterweight
- Hydraulic Oil
 - Cold weather (VG32)
 - Normal (VG46)
 - Tropical weather (VG68)
- Breaker filter
- Water separator with heater
- Short & Fixed track
- DEVELON Fleet Management