

## We are DEVELON

We trace our roots to 1937 as one of Korea's first large scale machine plant. Throughout time we have consistently delivered exceptional products and solutions.

DEVELON is a bold name that reflects our core ambition to continue developing onwards and leaving behind a positive footprint in our world. Moving forward, we seek to be part of our customers and partners' endeavor to build a better world.

Powered by **Innovation**



©2023 HD Hyundai Infracore. All rights reserved.  
HDIPBE-01-2305

Certain specification(s) are based on engineering calculations and are not actual measurements. Specification(s) are provided for comparison purposes only and are subject to change without notice. Specification(s) for your individual Develon equipment will vary based on normal variations in design, manufacturing, operating conditions, and other factors. Pictures of Develon units may show other than standard equipment.

[develon-ce.com](http://develon-ce.com)

# DEVELON

Excavators

## DX530LC-7M



Photos may include optional equipment.



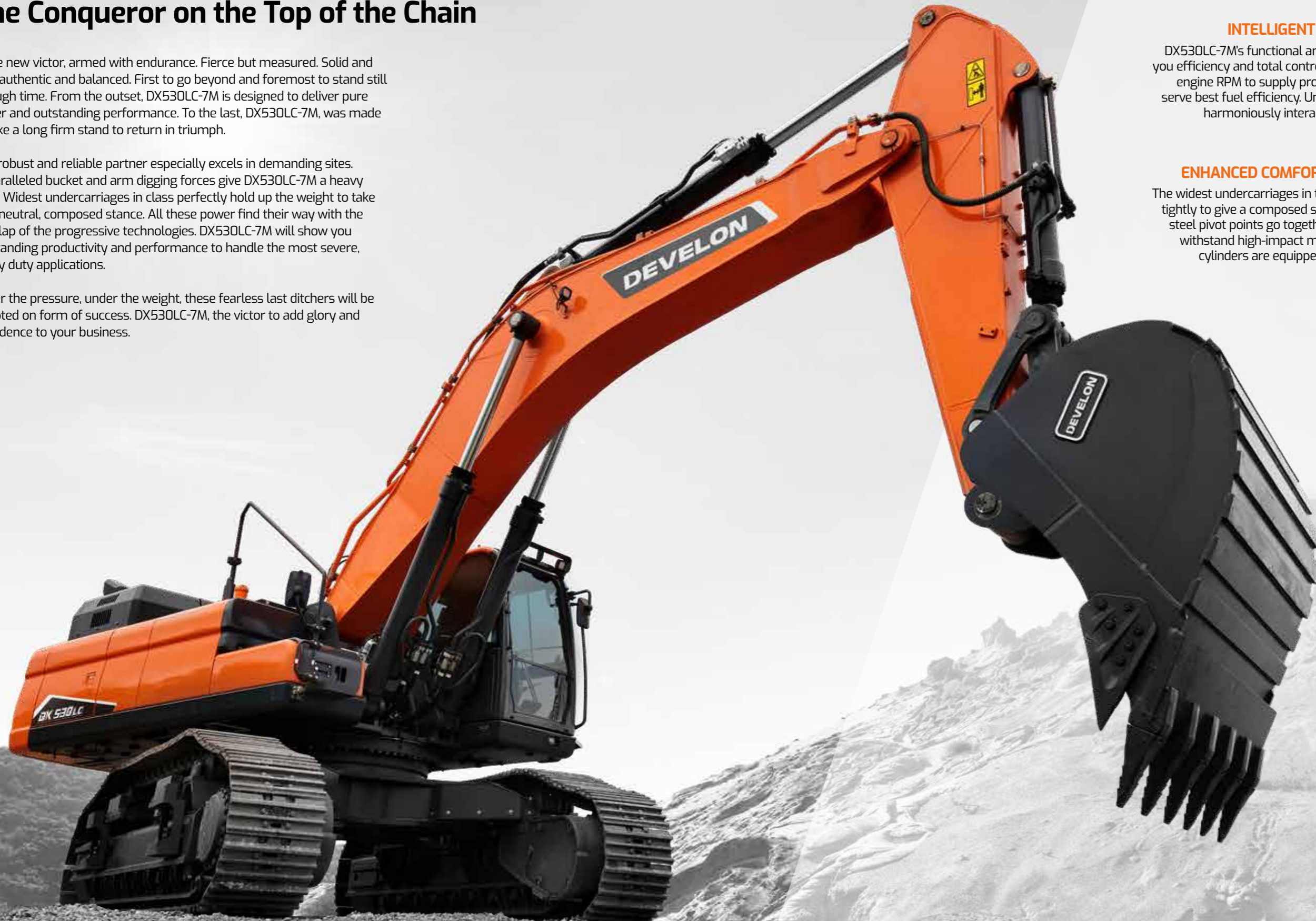
# THE VICTOR

## The Brave New Victor for Any Serious Work The Conqueror on the Top of the Chain

Brave new victor, armed with endurance. Fierce but measured. Solid and taut, authentic and balanced. First to go beyond and foremost to stand still through time. From the outset, DX530LC-7M is designed to deliver pure power and outstanding performance. To the last, DX530LC-7M, was made to take a long firm stand to return in triumph.

This robust and reliable partner especially excels in demanding sites. Unparalleled bucket and arm digging forces give DX530LC-7M a heavy blow. Widest undercarriages in class perfectly hold up the weight to take up a neutral, composed stance. All these power find their way with the next lap of the progressive technologies. DX530LC-7M will show you outstanding productivity and performance to handle the most severe, heavy duty applications.

Under the pressure, under the weight, these fearless last ditchers will be sculpted on form of success. DX530LC-7M, the victor to add glory and confidence to your business.



### FIERCE PERFORMANCE

DX530LC-7M is powered by Scania electrical engine which delivers superior performance. Impressive breakout force and high traction make penetration easy and allow you to handle the hardest materials. Power and athletic balance of powerful hydraulic systems will make your work quick and efficient.

### INTELLIGENT SYSTEM IN RAW ATHLETICISM

DX530LC-7M's functional and intelligent in-and-out design deliver you efficiency and total control. SPC system automatically controls engine RPM to supply proper torque depending on workload to serve best fuel efficiency. Unique and future-oriented connectivity harmoniously interact with intelligent assistance systems.

### ENHANCED COMFORT WITH BUILT TO STAND STILL

The widest undercarriages in the 50 ton class hold DX530LC-7M up tightly to give a composed stance. Reinforced castings and forged steel pivot points go together with heavy-duty arm and boom to withstand high-impact materials. Large, robust boom and arm cylinders are equipped for smooth and powerful operation.



# WE ARE BACK WITH NEW FEATURES

All the Nice Features of Previous Model  
Bodily Succeeded, Even Nicer Things to Come

## HEATING AND COOLING SEAT (OPTIONAL)

The air- suspended, climatized driver's suspension seat provides pleasant seating conditions and a high level of comfort.

## REINFORCED BOOM AND ARM

Reinforced castings and forged steel pivot points. Reinforced heavy-duty arm and boom with new optional boom floating system. To better protect the base of the arm, reinforced bars have been added and the arm center and end boss have been strengthened.

## HEAVY-DUTY UNDERCARRIAGE

Heavy duty X- shaped undercarriage with integrated track spring and idler. Offered with durable box section track frame. The sprocket structure and tooth have been strengthened to prevent debris and increase durability.

## WATER SEPARATOR

A filter-type high-performance water separator effectively filters moisture out in the fuel, reducing impurities and helping minimize engine issues.

## LARGE CAPACITY BUCKETS

Bucket robustness fortified by increased the area of the abrasion resistant plate. Selectable up to 3.8m<sup>3</sup> to fit a variety of applications.

## DEVELON FLEET MANAGEMENT (OPTIONAL)

Offering 'preventive maintenance service' based on machine operating data. Providing an expert level consultation to dealers. Functioning as fleet management tool for the customers.

## ADDITIONAL LED WORKING LAMP (OPTIONAL)

New additional LED working lamp contributes to enhanced safety through improved illumination.

## AIR COMPRESSOR (OPTIONAL)

Easily lubricated, highly reliable and low maintenance air compressors are equipped.

## ETP (ELECTRIC TRANSFER PUMP) (OPTIONAL)

Electric transfer pump enables to change speed of front movement depending on the hydraulic flow consumption of linked attachment. Upgraded operational ease guarantees linear and smooth movement of attachment.

## ROPS CABIN (OPTIONAL)

The ROPS certified cab provides you with a safe working environment. It also one of the most spacious cabs in the market, with low noise & vibration levels and excellent all-around visibility.

## SINGLE CATWALK

Makes maintenance safe and easy. The upper structure features a larger anti-slip surface for greater safety.



\*Option spec info is included to the images contained in this material and may not be the same with the actual specs.



# NATURAL BORN PREDATOR

## Peerless Power, Fearless Performance Pushing the Boundaries of Excavator Through the Limit

Challenge what's possible. DX530LC-7M delivers raw athleticism for you to take even the heaviest work with ease. Construction projects, mass excavation, heavy-duty mining or whatever your role is, supercharged Develon in-house engine provides excellent force and torque characteristics. Incomparable lifting capacity and improved swing torque provide faster cycle time. Push harder and dig deeper with high lifting capacity and stability.

Another key for performance ascent is the innovative combination of smart features. A redesigned EPOS™ hydraulic system ensures the engine power to be exactly delivered with an attractive cost-performance ratio. Optionally available electronically controlled hydraulic pump efficiently changes speed of front movement depending on the hydraulic flow consumption of attachment usage. Take the control of untamed. DX530LC-7M would show wide range of performance to let you adjust it on your term.



### SWING DRIVE

Swing drive minimizes shock during rotation, while making increased torque available to ensure rapid cycles.

### EPOS™ (ELECTRONIC POWER OPTIMIZING SYSTEM)

The smart EPOS™ provides a perfectly synchronized communication link between the engine's electronic control unit and the hydraulic system. A CAN (Controller Area Network) system enables a constant flow of information between the engine and hydraulic system, to ensure power is delivered exactly as needed.

### SCANIA DC13 ENGINE - T3

The DX530LC-7M is powered by economic and powerful Scania DC13 engine. Advanced DC13 engine delivers a superior performance. High-pressure fuel injection and precise timing provide optimized fuel consumption. High power and wide torque range at low RPM, which can also reduce the strain on the clutch and transmission. Delivering performance which can be adapted to your various needs, for maximum productivity.



### HYDRAULIC PUMP

Electronically control the pump by generating virtual hydraulic flow, which effectively works on effectively reduce fuel consumption and high productivity. This control enables to change speed of front movement depending on the hydraulic flow consumption of linked attachment. Upgraded operational ease guarantees linear and smooth movement of attachment. Hydraulic flow can be controlled by the intuitive button or switch.





# TIME-HONORED DURABILITY

Structure Honed and  
Perfected for Countless Time



Strive for perfection. DX530LC-7M is nature born pioneer who has challenged the difficult work by optimized structure. The exceptionally long and wide undercarriage, allow the operator to perform tough and heavy workloads in the most stable manner. Durable materials and extensive testing ensure long-term reliability. The D-profile frame and x-chassis add strength, while the arm assembly is reinforced for longer life. Increased lifespan of components by improved abrasion-resistance and additional protection.

Collection of all virtues accumulated by Develon's history, DX530LC-7M offers outstanding quality underpinned by unflinching engineering and extensive testing. Enhanced durability achieved through applying highly robust materials to structures of overall frames. Lasting technology and structural design completed by thorough analysis, enable Develon's equipments to last under the harshest conditions.





### EM BUSHING

The boom pivot is made with a highly lubricated metal to increase the lifespan and extend greasing intervals to 250 hours. cancellation and anti seizure property. Used polymer shim with hard metal disk for less abrasion.



### ABRASION-RESISTANT ARM END DISK

New disks have been adopted to increase wear resistance and service intervals.

### INTEGRATED TRACK SPRING AND IDLER

The track spring and idler have been joined directly for even greater durability and improved maintenance convenience. The reinforced idler frame, track links and bottom rollers are built to withstand tough conditions for improved durability and reliability in demanding applications.

### HEAVY DUTY UNDERCARRIAGE

Advanced undercarriage with strengthen sprocket structure and tooth. Offering increased durability by providing additional protection to the underside of the machine in tough applications -preventing damage from rock and debris .Heavy duty X- shaped undercarriage ensures optimum structural integrity and durability. Cast steel heavy-duty sprockets guarantee the highest resistance and thick and solid plates providing maximum durability in harsh conditions.

### LARGER AND WIDER TRACK

DX530LC-7M (Retracted Track optional) is equipped with tracks that is up to 3.9 m wider and up to 5.5 m longer, contributing to greater safety and productivity.

## Heavy Duty Boom and Arm

### A. CENTER BOSS PLATE

Size increased 40%

### B. BOOM END BRACKET

Single piece of casting type

### C. ARM BOTTOM PLATE

Increase plate thickness 20%

### D. ARM SIDE PLATE

Increase plate thickness 15%

### E. HEAVY DUTY BUCKET

New larger bucket

### F. BOOM PLATE

Increase boom foot height and decrease width Increase plate thickness 15%





# FUEL RESTRAINT EQUALS SAVINGS

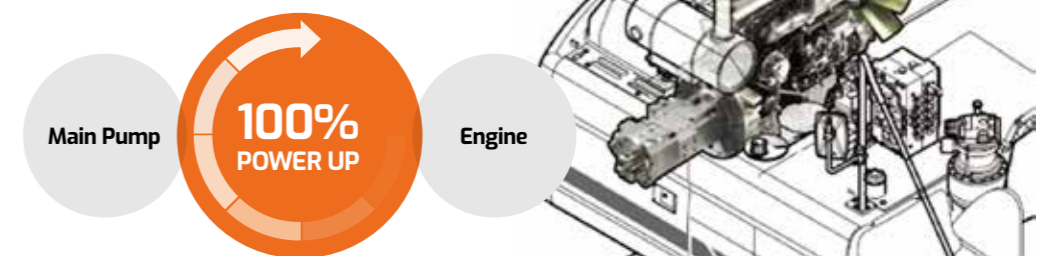
## Unwavering Commitment to Efficiency and Sustainability

DX530LC-7M offers the best conditions for delivering performance in the most cost-effective way. With reliable technology geared to the task, low fuel consumption and the accumulated experiences. Advanced systems combined with innovative integration, result in significantly increased performance and fuel efficiency.

Broad range of powertrain options and transmission provide an efficient delivery of power on various terrains and conditions. A standard auto-idle feature which automatically puts the engine and pump into the standby mode when it detects a pause. Develon's engine and pump matching technology, not only economical but also environmentally responsive with significantly reduced exhaust fumes. DX530LC-7M's comprehensive range of innovative technology ensure you to do more with low fuel consumption and overall operating costs.

### PUMP MATCHING TECHNOLOGY

Pump matching technology resolves problems as the low response time of the system and unnecessary fuel consumption. Matching the response time between pump and engine efficiently reduces unnecessary fuel consumption as well as reducing exhaust fumes.



### RELIEF CUTOFF

DX530LC-7M is equipped with a relief cutoff system. The system automatically detects excess hydraulic pressure in the cylinder and controls it by redirecting the hydraulic flow back to the main pump. Relief cutoff system distributes excessive pressure in hydraulic components to be maintained in the optimal state.

### AUTO IDLE

A standard auto-idle feature reduces engine rpm when the steering wheel or joystick isn't being used. The system automatically puts the engine and pump into the standby mode when it detects a pause during operation. The engine will be automatically switched off when the machine is inactive for a pre-set amount of time. This function helps reduce fuel consumption and noise.

### POWER MODE

(P+mode / P mode / S mode / E mode)  
Four different power modes give you precise control over the excavator's powertrain. The system automatically identifies working mode and adjusts engine RPM to supply proper pump torque. Potential fuel consumption significantly reduced compared to permanently maintaining the same mode.







# IN COMFORT, IN CONTROL

## Your Workstation with Form and Function

Versatility to meet all your needs, while the exemplary levels of comfort are complemented by a range of innovative features. DX530LC-7M includes a wide range of features you could possibly need for your task. Designed to meet operational need thoroughly, the high-definition display control lever and other intuitive features bring absolute controllability in your fingertips.

For both bodily comfort and peace of mind, enjoy your enhanced personal space with completely re-designed cabin interior with climate control systems, air suspension seat and various convenient features. All elements provided to ensure the operator to work in safe and comfortable condition no matter the work site is. Work will be altogether more pleasant with DX530LC-7M's cabin, optimally prepared for both energetic work and relaxed break.





1



2

3



4



5



6



7



8

### 1. SMALL DETAILS ADD THE FEELING OF REFINEMENT

Heating and ventilation, air conditioning system upgraded for pleasant environment. USB charger is equipped for additional comfort. Rear sun visor is also equipped for UV protection.

### 2. SPACIOUS CABIN COMFORT

Refined interior with enhanced legroom and extendable storage space guarantees a serene ride to you. A more orderly interior equipped with thoroughly changed comfort accessories. This ensures operator to have a clear and uncluttered workplace at all times.

### 3. HEATING AND COOLING SEAT (OPTIONAL)

The optional, air-suspended, climatized driver's suspension seat provides pleasant seating conditions and a high level of comfort. Heating and cooling temperature range segmented in three stage to meet various customer needs.

### 4. ADDITIONAL LED WORKING LAMP (OPTIONAL)

New additional LED working lamp contributes to enhanced safety through improved illumination. 2 ea (only front side) and 6 ea selectable.

### 5. CONTROL LEVER

Precise control of the equipment increases versatility, safety and facilitates tricky operations requiring great precision. Leveling operations and the movement of lifted load made easier and safer.

### 6. AVM (AROUND VIEW MONITOR) (OPTIONAL)

The images can be viewed on a monitor in the interior of the cab. The operator can directly view the area around equipment, when changing implements. Also can have a perfect view of the front structure.

### 7. 8-INCH TOUCH SCREEN MONITOR

New, wider and more user-friendly LCD color monitor with full access to machine settings and maintenance data.

### 8. SIMPLE OPERATION

Precise control of the equipment increases versatility, safety and facilitates tricky operations requiring great precision. Leveling operations and the movement of lifted load made easier and safer. Joystick and switches integrated in control stand for precise operation.

### 1. SMALL DETAILS ADD THE FEELING OF REFINEMENT

### 2. SPACIOUS CABIN COMFORT

### 3. HEATING AND COOLING SEAT (OPTIONAL)

### 4. ADDITIONAL LED WORKING LAMP (OPTIONAL)

### 5. CONTROL LEVER

### 6. AROUND VIEW MONITOR (OPTIONAL)

### 7. 8-INCH TOUCH SCREEN MONITOR

### 8. SIMPLE OPERATION



\* Option spec info is included to the images contained in this material and may not be the same with the actual specs.



# LONG SERVICE WITH MINIMUM UPKEEP

## Keep Your Engine Turning, Without Maintenance Stress

We understand that you have a task to complete in time. DX530LC-7M are made up of high quality and low maintenance components to fit your needs. Flexible upkeep and repair options, as well as planned servicing, would extend the life of your excavator.

Key maintenance areas are easy to access and centralized grease inlets are designed for simple routine maintenance. Extensive service network and expert assistance are also readily available. Develon Fleet Management provides you the operational machine data in an hourly cycle and broad range of service to get the most productivity out of your equipment. Develon helps you make the most of tyour time.







**1. SINGLE CATWALK FOR SAFE MAINTENANCE**

Large guard rails are installed along with anti-slip step and plates. Assuring operator's safety during the working hour and offering easy access to the whole upper structure.



**2. HYDRAULIC OIL RETURN FILTER**

Protection of the hydraulic system has been made more effective by applying glass fiber filter technology to the main oil return filter. More than 99.5% of foreign particles are filtered out, significantly increasing oil change interval.



**3. FUEL PRE-FILTER IN WATER SEPARATOR**

Highly efficient water separator in fuel to prevent engine damage by removing moisture. Reducing the risk of external engine contamination and lengthen the engine's lifespan.



**4. CENTRALIZED GREASE INLETS FOR EASY MAINTENANCE**

The boom & arm grease inlets are grouped for easy access. Remote grease points make it easier to lubricate hard-to-reach pins on the lift arm and articulation system.



**5. DRY TYPE PRE-CLEANER**

The installation of a rotor type pre-cleaner provides better filtering in dusty environments. Increase maintenance interval resulting in more uptime.



**7. CONVENIENT FUSE BOX**

The fuse box is conveniently located in a section of the storage compartment behind the operator's seat to provide a clean environment and easy access.



**6. AIR COMPRESSOR (OPTIONAL)**

Easily lubricated, highly reliable and low maintenance air compressors are equipped.



**8. AIR CLEANER**

Air cleaner of large capacity removes 99% of airborne particles, reducing the risk of engine contamination.



# DEVELON FLEET MANAGEMENT

## Telematics Service (OPTIONAL)

**TELECOMMUNICATIONS** Data flow from machine to web



### TELEMATICS TERMINAL

Terminal device is installed and connected to a machine to get machine data.

### TELECOMMUNICATION

DEVELON provides Dual mode (Cellular, Satellite) communication to maximize communication coverage

### DEVELON FM WEB

User can monitor machine status from DEVELON FM Web

**TELEMATICS SERVICE BENEFITS** Develon and dealer support customers to improve work efficiency with timely and responsive services

#### CUSTOMER

Improve work efficiency

- Timely and preventive service
- Improve operator's skills by comparing work pattern
- Manage fleet more effectively

#### DEALER

Better service for customers

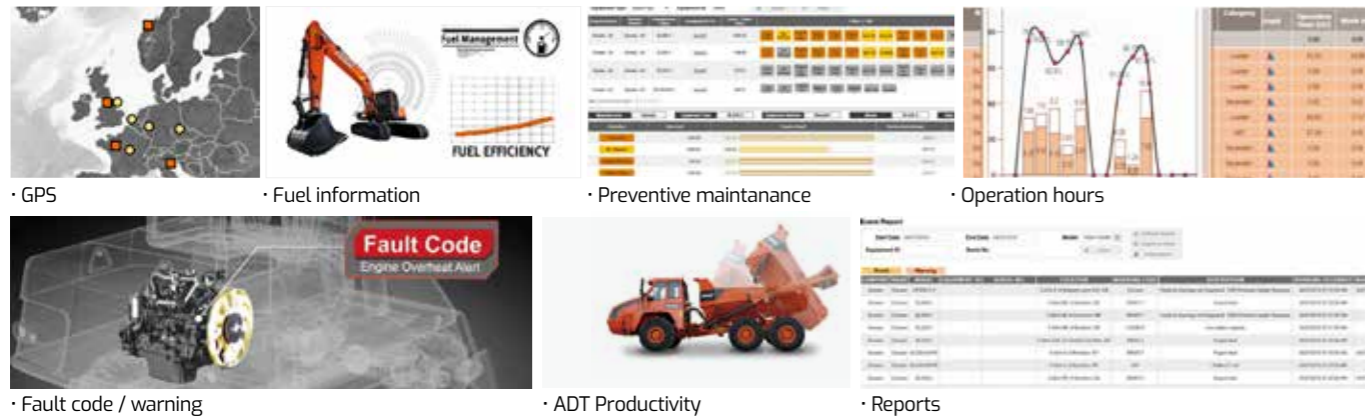
- Provide better quality of service
- Maintain machine value
- Better understanding of market needs

#### DEVELON

Responsive to customer's voice

- Utilize quality-related field data
- Apply customer's usage profile to developing new machine

**FUNCTIONS (WEB/APP)** Develon Telematics Service provides various functions to support your great performance



FUNCTION	EXCAVATOR	WHEEL LOADER	ADT
GPS	All models	All models	All models
Operation hours	All models	All models	All models
Maintenance parts	All models	All models	All models
Fault code / Warning	All models	All models	All models
Fuel information	All models	All models	All models
Dump capacity	N/A	N/A	All models

# GLOBAL PARTS NETWORK

## QUALITY-PROVEN MAIN COMPONENTS

Develon provides fast and precise worldwide delivery of genuine Develon parts through its global PDC (parts distribution center) network.

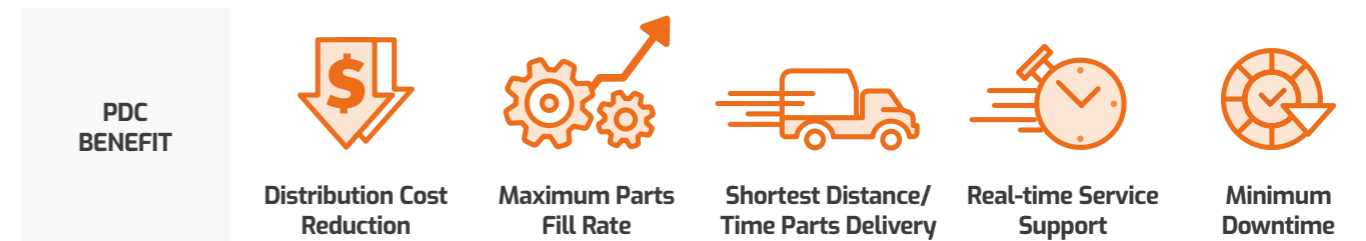


### GLOBAL NETWORK

The global network of the GPDC (Global Parts Distribution Center) maximizes its fill rate by making sure that each center is stockpiled with all the critical parts required for businesses in its area. The network also minimizes the time and costs required for parts delivery by positioning PDCs close to major markets around the world. Develon PDCs communicate with customers in their time zone, informing them that they are open for operation, and deliver parts to them as early as possible.

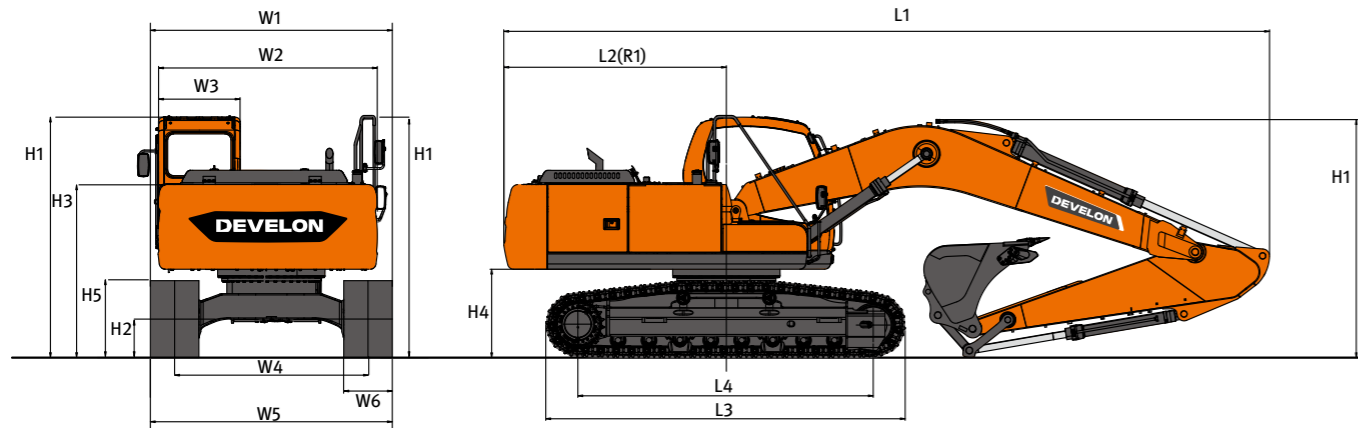
## THE GLOBAL PARTS DISTRIBUTION CENTER NETWORK

PDCs had been set up as shown below, including Mother PDC in Ansan, Korea. The nine other PDCs include one in China (Yantai), three in USA (Atlanta, Seattle and Miami), two in Europe (Germany and the UK), one in the Middle East (Dubai) and two in Asia (Singapore and Indonesia).





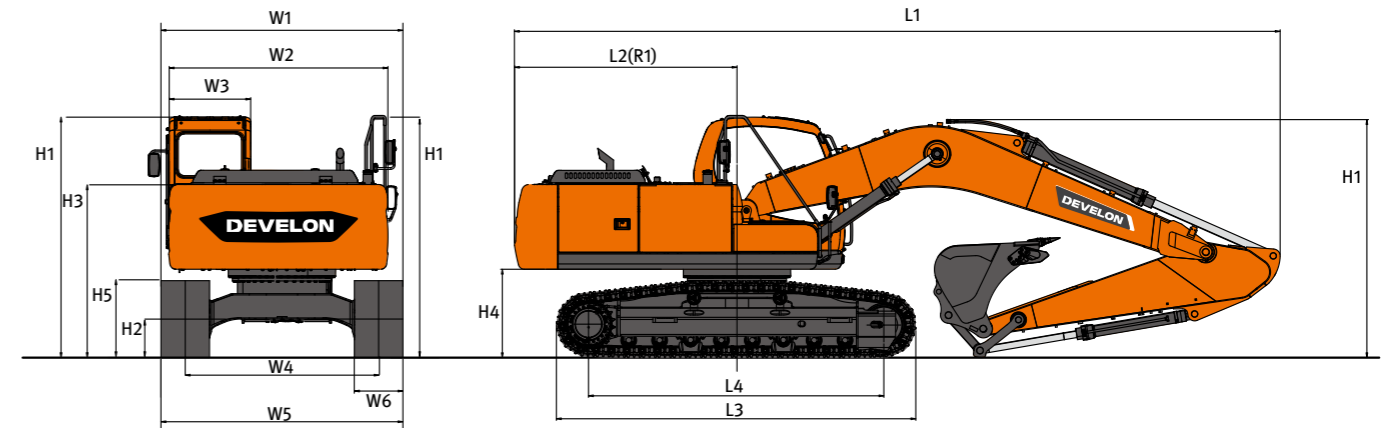
# DIMENSIONS



## VARIABLE TRACK

Model		DX530LC-7M [metric]									
Dimension		STD	OPT1	OPT2	OPT3	OPT4	OPT5	OPT6			
Boom	m	6.3	6.3	7.1 HD	7.1 HD	7.1	9.0	11.0			
Arm	m	2.9	2.4	3.35 HD	2.9	3.98	6.0	8.0			
Bucket (PCSA)	m <sup>3</sup>	3.28 R2H	3.2	2.35/2.6 R2H	2.6/2.72 R2H	2.07 R2H	1.27 GP	0.92 GP			
Undercarriage (Track+Grouser)		mm 3.9 M 600 TG									
Overall	L1	Overall Length	mm	11,530	11,720	12,220	12,325	12,300	14,150	16,190	
	H1	Overall Height	Boom	mm	4,140	4,030	3,575	3,775	3,830	3,765	3,935
			Hose	mm	4,185	4,075	3,680	3,865	3,920	3,905	4,070
			Cabin	mm	3,360	3,360	3,360	3,360	3,360	3,360	3,360
	W1	Overall Width (SHIPPING)**	Extended	mm	4,100	4,100	4,100	4,100	4,100	4,100	4,100
			Retracted	mm	3,577	3,577	3,577	3,577	3,577	3,577	3,577
R1	Rear Swing Radius	mm	3,800	3,800	3,800	3,800	3,800	3,800	3,800	3,800	
H2	Ground Clearance*	mm	*725	*725	*725	*725	*725	*725	*725	*725	
Swing Body	W2	House Width	Frame only	mm	2,990	2,990	2,990	2,990	2,990	2,990	2,990
			w/Catwalk	mm	3,296	3,296	3,296	3,296	3,296	3,296	3,296
			w/Protector	mm	3,352	3,352	3,352	3,352	3,352	3,352	3,352
	W3	Cabin Width	mm	1,010	1,010	1,010	1,010	1,010	1,010	1,010	
H3	Height Over Cover	mm	2,507	2,507	2,507	2,507	2,507	2,507	2,507		
H4	Counterweight Clearance*	mm	*1,424	*1,424	*1,424	*1,424	*1,424	*1,424	*1,424	*1,424	
Undercarriage	H5	Track Height*	mm	*1,195	*1,195	*1,195	*1,195	*1,195	*1,195	*1,195	
	L3	Track Length	mm	*5,480	*5,480	*5,480	*5,480	*5,480	*5,480	*5,480	
	L4	Tumbler Distance	mm	4,470	4,470	4,470	4,470	4,470	4,470	4,470	
	W5	Undercarriage Width***	Extended	mm	4,100	4,100	4,100	4,100	4,100	4,100	4,100
			Retracted	mm	3,540	3,540	3,540	3,540	3,540	3,540	3,540
	W6	Shoe Width	mm	600	600	600	600	600	600	600	
	Grouser Height	mm	36	36	36	36	36	36	36	36	
CAB	-	Cabin Height (H1 - H3)	mm	853	853	853	853	853	853	853	

\* : without grouser  
 \*\* : EXTENDED / RETRACTED (include side steps. If it excludes side steps, 3,900 / 3,477)  
 \*\*\* : EXTENDED / RETRACTED (include side steps. If it excludes side steps, 3,900 / 3,340)



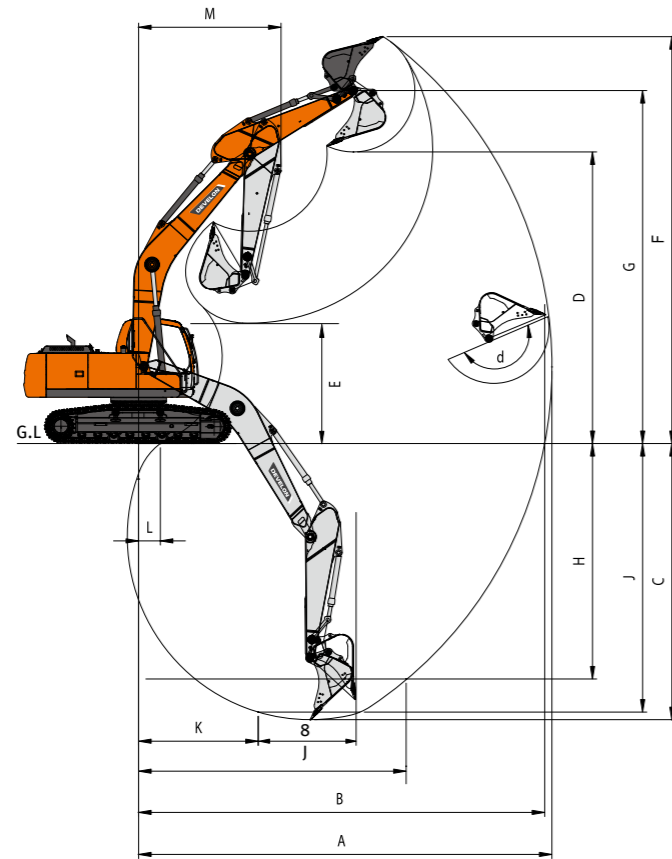
## FIXED TRACK

Model		DX530LC-7M [metric]							
Dimension		STD	OPT 1	OPT 2	OPT 3	OPT 4			
Boom	m	6.3	6.3	7.1	7.1	7.1			
Arm	m	2.9	2.4	3.35	2.9	3.98			
Bucket (PCSA)	m <sup>3</sup>	2.91 R2H	2.91 R2H	2.6 R2H	2.72 R2H	2.07 R2H			
Undercarriage (Track+Grouser)		mm Fixed - 600 TG							
Overall	L1	Overall Length	mm	11,520	11,730	12,280	12,345	12,325	
	H1	Overall Height	Boom	mm	4,140	3,975	3,575	3,775	3,830
			Hose	mm	4,185	4,020	3,680	3,865	3,920
			Cabin	mm	3,210	3,210	3,210	3,210	3,210
	W1	Overall Width (SHIPPING)**	mm	3,510	3,510	3,510	3,510	3,510	
	R1	Rear Swing Radius	mm	3,800	3,800	3,800	3,800	3,800	
H2	Ground Clearance*	mm	*530	*530	*530	*530	*530		
Swing Body	W2	House Width	Frame only	mm	2,990	2,990	2,990	2,990	2,990
			w/Catwalk	mm	3,296	3,296	3,296	3,296	3,296
			w/Protector	mm	3,352	3,352	3,352	3,352	3,352
W3	Cabin Width	mm	1,010	1,010	1,010	1,010	1,010		
H3	Height Over Cover	mm	2,356	2,356	2,356	2,356	2,356		
H4	Counterweight Clearance*	mm	*1,273	*1,273	*1,273	*1,273	*1,273		
Undercarriage	H5	Track Height*	mm	*1,070	*1,070	*1,070	*1,070	*1,070	
	L3	Track Length	mm	*5,480	*5,480	*5,480	*5,480	*5,480	
	L4	Tumbler Distance	mm	4,475	4,475	4,475	4,475	4,475	
	W5	Undercarriage Width**	STD	mm	3,408	3,408	3,408	3,408	3,408
				mm	3,408	3,408	3,408	3,408	3,408
	W6	Shoe Width	mm	600	600	600	600	600	
	Grouser Height	mm	36	36	36	36	36		
CAB	-	Cabin Height (H1 - H3)	mm	853	853	853	853	853	

\* : without grouser  
 \*\* : STD (include side steps. If it excludes side steps, STD is 3,481)  
 \*\*\* : STD (include side steps. If it excludes side steps, STD is 3,350)

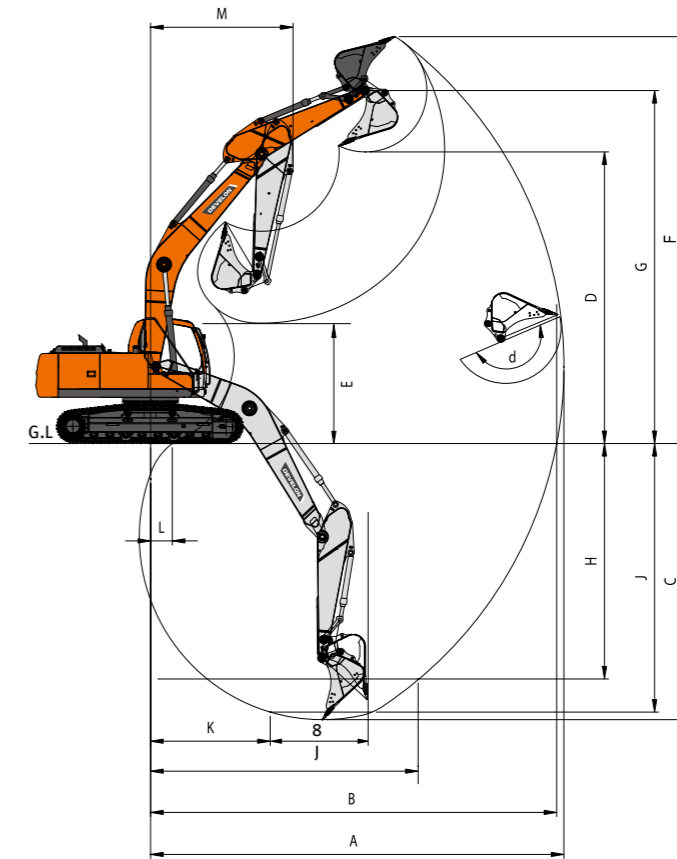


# WORKING RANGES



## VARIABLE TRACK

BOOM LENGTH	mm	7,100 (HD)			6,300		9,000	11,000
ARM TYPE	mm	3,350 (HD)	2,900	3,980	2,400	2,900	6,000	8,000
BUCKET TYPE (SAE / PCSA)	m <sup>3</sup>	2.35 R2H	2.60 R2H	2.07 R2H	3.28 R2H	2.91 R2H	1.27	0.92
A MAX. DIGGING REACH	mm	12,125	11,720	12,670	10,305	10,735	16,060	19,615
B MAX. DIGGING REACH (GROUND)	mm	11,865	11,455	12,425	10,000	10,445	15,870	19,455
C MAX. DIGGING DEPTH	mm	7,790	7,340	8,405	6,260	6,755	11,795	15,125
D MAX. DUMPING HEIGHT	mm	7,865	7,725	8,025	6,650	6,750	9,800	11,890
E MIN. DUMPING HEIGHT	mm	3,310	3,580	2,510	3,505	2,980	2,076	1,465
F MAX. DIGGING HEIGHT	mm	11,050	10,920	11,205	9,495	9,630	12,755	14,435
G MAX. BUCKET PIN HEIGHT	mm	9,690	9,550	9,850	8,455	8,555	11,415	13,355
H MAX. VERTICAL WALL DEPTH	mm	4,370	4,045	4,930	590	1,155	10,300	12,805
I MAX. RADIUS VERTICAL	mm	9,970	9,710	10,235	9,845	10,095	9,515	12,165
J MAX. DIGGING DEPTH (8' LEVEL)	mm	7,635	7,165	8,265	6,020	6,535	11,670	15,010
K MIN. RADIUS 8' LINE	mm	3,895	3,885	3,905	3,195	3,175	4,885	6,165
L MIN. DIGGING REACH	mm	840	2,010	50	2,015	1,160	-109	40
M MIN. SWING RADIUS	mm	5,210	5,235	5,185	4,740	4,715	6,525	7,825
d. BUCKET ANGLE (DEG)	°	189.1	181.2	180.9	184.5	186.2	175.2	177.6



## FIXED TRACK

BOOM LENGTH	mm	7,100 (HD)			6,300	
ARM TYPE	mm	3,350 (HD)	2,900	3,980	2,400	2,900
BUCKET TYPE (SAE / PCSA)	m <sup>3</sup>	2.35 R2H	2.60 R2H	2.07 R2H	3.28 R2H	2.91 R2H
A MAX. DIGGING REACH	mm	12,125	11,720	12,670	10,305	10,735
B MAX. DIGGING REACH (GROUND)	mm	11,895	11,485	12,455	10,030	10,475
C MAX. DIGGING DEPTH	mm	7,940	7,490	8,555	6,410	6,905
D MAX. DUMPING HEIGHT	mm	7,715	7,575	7,875	6,500	6,600
E MIN. DUMPING HEIGHT	mm	2,980	3,430	2,360	3,355	2,830
F MAX. DIGGING HEIGHT	mm	10,900	10,770	11,055	9,345	9,480
G MAX. BUCKET PIN HEIGHT	mm	9,540	9,400	9,700	8,305	8,405
H MAX. VERTICAL WALL DEPTH	mm	4,520	4,195	5,080	740	1,305
I MAX. RADIUS VERTICAL	mm	9,970	9,710	10,235	9,845	10,095
J MAX. DIGGING DEPTH (8' LEVEL)	mm	7,785	7,315	8,415	6,170	6,685
K MIN. RADIUS 8' LINE	mm	3,895	3,885	3,905	3,195	3,175
L MIN. DIGGING REACH	mm	1,055	2,195	200	2,165	1,310
M MIN. SWING RADIUS	mm	5,210	5,235	5,185	4,740	4,715
d. BUCKET ANGLE (DEG)	°	189.1	181.2	180.9	184.5	186.2



# TECHNICAL SPECIFICATION

## ENGINE

### Model

SCANIA DC13  
4-cycle, water-cooled Waste gate controlled turbocharger, Unit injector . The emission levels are well below the values required for phase III.

### Number of cylinders

6

### Nominal flywheel power

GROSS POWER  
294 kW (399.7PS, 394.2HP) @ 1,800 rpm (SAE J1995)  
NET POWER  
289 kW (392.9PS, 387.6HP) @ 1,800 rpm (SAE J1349)

### Max torque

1,930 Nm @ 1,400 rpm

### Piston displacement

12,700 cc (775 cu.in)

### Bore & stroke

φ130 X 160 mm (4.0" x 4.6")

### Starter

24 V / 6.0 kW

### Batteries

2 X 12 V / 200 Ah

### Air cleaner

Double element with auto dust evacuation.

## HYDRAULIC CYLINDERS

The piston rods and cylinder bodies are made of high-strength steel. A shock absorbing mechanism is fitted in all cylinders to ensure shockfree operation and extend piston life.

Cylinders	Quantity	Bore x Rod diameter x stroke
Boom	2	170 x 115 x 1,650 mm
Arm	1	190 x 130 x 1,980 mm
Bucket	1	170 x 115 x 1,341 mm

## ENVIRONMENT

Noise levels comply with environmental regulations (dynamic values).

### Sound level guarantee

107 DB (A) (2000/14/EC)

### Cab sound level

74 DB (A) (ISO 6396)

## HYDRAULIC SYSTEM

The heart of the system is the EPOS™ (Electronic Power Optimizing System). It allows the efficiency of the system to be optimized for all working conditions and minimizes fuel consumption.

- The hydraulic system enables independent or combined operations.
- Two travel speeds offer either increased torque or high speed tracking.
- Cross-sensing pump system for fuel savings.
- Auto deceleration system.
- Two operating modes, two power modes.
- Button control of flow in auxiliary equipment circuits.
- Computer-aided pump power control.

### Main pumps

2 variable displacement axial piston pumps  
Max flow: 2 x 390 l/min

### Pilot pump

Gear pump - max flow: 24 l/min

### Maximum system pressure

#### Front

Normal mode : 324 kgf/cm<sup>2</sup>  
Power mode : 343 kgf/cm<sup>2</sup>  
Travel : 324 kgf/cm<sup>2</sup>  
Swing : 300 kgf/cm<sup>2</sup>

## SWING MECHANISM

- An axial piston motor with two-stage planetary reduction gear is used for the swing.
- Increased swing torque reduces swing time.
- Internal induction-hardened gear.
- Internal gear and pinion immersed in lubricant bath.
- The swing brake for parking is activated by spring and released hydraulically.

### Swing speed : 0 to 9 rpm

## UNDERCARRIAGE

Chassis are of very robust construction, all welded structures are designed to limit stresses. High-quality material used for durability. Lateral chassis welded and rigidly attached to the undercarriage. Track rollers lubricated for life, idlers and sprockets fitted with floating seals.

### Number of rollers and track shoes per side

Upper rollers : 2 (SINGLE) & 1 (SHAFT), Variable Track  
2 (SHAFT), Fixed Track

Lower rollers: 9

Shoes : 53

Total length of track : 5,480 mm (17' 9")

## DRIVE

Each track is driven by an independent axial piston motor through a planetary reduction gearbox. Two levers with control pedals guarantee smooth travel with counter rotation on demand.

### Travel speed (fast/slow)

5.5 / 3.1 km/h

### Maximum traction force

37.0 / 21.0 ton.f (363 / 206 kN)

### Maximum grade

70 (35%)

## BUCKET DIGGING FORCE

Bucket Type	Capacity (m <sup>3</sup> )		Bucket Width (mm)		DIGGING FORCE (NOM/PRESS UP, TON)
	CECE	SAE	W/Cutter	W/O Cutter	
GP	1.89	2.14	1,682	1,588	[SAE] 25.8 / 27.4 [ISO] 29.0 / 30.8
	2.1	2.39	1,837	1,744	
	2.5	2.86	2,130	2,037	
GP (Rock)	1.48	1.71	-	1,572	[SAE] 25.7 / 27.3 [ISO] 30.7 / 32.6
	1.87	2.07	1,416	1,382	
	2.11	2.35	1,566	1,532	
	2.32	2.60	1,666	1,700	
	2.43	2.72	1,766	1,732	
	2.59	2.91	1,866	1,832	
	2.90	3.28	2,066	2,032	
R2H+	3.18	3.60	2,096	2,062	[SAE] 25.3 / 26.8 [ISO] 28.2 / 29.9
	3.35	3.80	2,196	2,162	
	2.90	3.28	2,066	2,032	
R2S	1.76	1.94	-	1,350	
	2.00	2.22	-	1,500	
	2.32	2.59	-	1,700	
	2.48	2.78	-	1,800	
R2X	2.79	3.15	-	2,000	
	1.76	1.94	-	1,370	
	2.00	2.22	-	1,520	
	2.32	2.59	-	1,720	
SLR	2.48	2.78	-	1,820	
	0.81	0.93	1,236	1,173	
SEMI SLR	1.1	1.27	1,445	1,376	[SAE] 13.7 / 14.5 [ISO] 16.0 / 17.0
SEMI SLR (DC)	0.96	1.12	-	1,500	[SAE] 18.1 / 19.1 [ISO] 20.4 / 21.7
SEMI SLR (DC)	1.17	1.37	-	1,800	[SAE] 19.3 / 20.4 [ISO] 22.2 / 23.5

## ARM DIGGING FORCE

BOOM (mm)	ARM	LENGTH (mm)	WEIGHT (kg)	DIGGING FORCE (NOM/PRESS UP, TON)
Standard Heavy Duty Short	STD	3,350	1,684	[SAE] 21.0 / 22.2, [ISO] 21.3 / 22.6
	HEAVY DUTY	3,350	1,775	[SAE] 21.0 / 22.2, [ISO] 21.3 / 22.6
	SHORT	2,900	1,655	[SAE] 23.8 / 25.3, [ISO] 24.3 / 25.7
	LONG	3,980	1,831	[SAE] 18.9 / 20.0, [ISO] 19.0 / 20.2
6,300	SHORT	2,400	1,462	[SAE] 27.6 / 29.2, [ISO] 28.2 / 29.9
	SHORT	2,900	1,655	[SAE] 23.8 / 25.3, [ISO] 24.3 / 25.7

## REFILL CAPACITIES

### Fuel tank

626 L (165.4 US gal)

### Cooling system (Radiator capacity)

53.3 L (14.1 US gal)

### Engine oil

45 L (11.9 US gal)

### Swing drive

2 X 5 L (2 X 1.32 US gal)

### Final drive

(each =Travel Device = travel motor + travel reduction gear)

2 X 9 L (2 X 2.38 US gal)

### Hydraulic tank

390 L (103 US gal)

## WEIGHT

Shoe Width (mm)	Ground Pressure kgf/cm <sup>2</sup> (psi)	Machine Weight (ton)
STD. 600TG	0.93 (13.2)	53.5
OPT. 750TG	0.76 (10.8)	54.5
OPT. 800TG	0.71 (10.1)	54.8
OPT. 900TG	0.64 (9.1)	55.4
OPT. 600DG	0.93 (13.2)	53.6

\*with wide variable track

Shoe Width (mm)	Ground Pressure kgf/cm <sup>2</sup> (psi)	Machine Weight (ton)
STD. 600TG	0.88 (12.5)	50.9
OPT. 750TG	0.72 (10.2)	51.9
OPT. 800TG	0.68 (9.7)	52.2
OPT. 900TG	0.61 (8.7)	52.7
OPT. 600DG	0.88 (12.5)	50.9

\*with fixed track



# TECHNICAL SPECIFICATION

## BUCKET & ARM COMBINATIONS

Track	Wide Variable Track (3.9 m)				C/W (kg)	11,100							
Track Gauge	2,740 / 3,300 (mm) [Retracted/Extended]				Shoe (mm)	600							
Bucket Type	Capacity (m <sup>3</sup> )		Bucket Width (mm)		Weight (kg)	7.1m Boom			6.3m Boom		9m Boom	11m Boom	
	SAE/PCSA	CECE	W/O Cutter	With Cutter		2.9m Arm	3.35m Arm	3.98m Arm	2.4m Arm	2.9m Arm	6m Arm	8m Arm	
SLR	0.92	0.81	1,173	1,236	724	-	-	-	-	-	-	A	
SEMI	1.27	1.10	1,376	1,445	1,094	-	-	-	-	-	A	-	
SEMI_DC	1.12	0.96	1,500	-	975	-	-	-	-	-	A	-	
	1.37	1.17	1,800	-	1,116	-	-	-	-	-	A	-	
GP	2.14	1.89	1,588	1,682	1,910	A	A	A	A	A	-	-	
	2.39	2.10	1,744	1,837	2,027	A	A	A	A	A	-	-	
	2.86	2.51	2,037	2,130	2,279	A	A	A	A	A	-	-	
R2H	2.07	1.87	1,382	1,416	1,831	A	A	A	A	A	-	-	
	2.35	2.11	1,532	1,566	1,952	A	A	A	A	A	-	-	
	2.60	2.32	1,666	1,700	2,260	A	A	A	A	A	-	-	
	2.72	2.43	1,732	1,766	2,121	A	A	A	A	A	-	-	
	2.91	2.59	1,832	1,866	2,283	A	A	B	A	A	-	-	
	3.28	2.90	2,032	2,066	2,411	A	B	C	A	A	-	-	
	3.60	3.18	2,062	2,096	2,710	B	C	C	A	A	-	-	
	3.80	3.35	2,162	2,196	2,826	C	C	D	A	A	-	-	
R2H+	3.28	2.90	2,032	2,066	2,572	B	B	C	A	A	-	-	
R2S	1.94	1.76	1,350	-	2,268	A	A	A	A	A	-	-	
	2.22	2.00	1,500	-	2,408	A	A	A	A	A	-	-	
	2.59	2.32	1,700	-	2,594	A	A	A	A	A	-	-	
	2.78	2.48	1,800	-	2,736	A	A	B	A	A	-	-	
	3.15	2.79	2,000	-	2,922	B	B	C	A	A	-	-	
R2X	1.94	1.76	1,370	-	2,485	A	A	A	A	A	-	-	
	2.22	2.00	1,520	-	2,649	A	A	A	A	A	-	-	
	2.59	2.32	1,720	-	2,930	A	A	B	A	A	-	-	
	2.78	2.48	1,820	-	3,040	A	A	B	A	A	-	-	
ROCK	1.71	1.48	1,572	-	2,075	A	A	A	A	A	-	-	

Track	Wide Variable Track (3.9 m)				C/W (kg)	11,100							
Track Gauge	2,740 / 3,300 (mm) [Retracted/Extended]				Shoe (mm)	900							
Bucket Type	Capacity (m <sup>3</sup> )		Bucket Width (mm)		Weight (kg)	7.1m Boom			6.3m Boom		9m Boom	11m Boom	
	SAE/PCSA	CECE	W/O Cutter	With Cutter		2.9m Arm	3.35m Arm	3.98m Arm	2.4m Arm	2.9m Arm	6m Arm	8m Arm	
SLR	0.92	0.81	1,173	1,236	724	-	-	-	-	-	-	A	
SEMI	1.27	1.10	1,376	1,445	1,094	-	-	-	-	-	A	-	
SEMI_DC	1.12	0.96	1,500	-	975	-	-	-	-	-	A	-	
	1.37	1.17	1,800	-	1,116	-	-	-	-	-	A	-	
GP	2.14	1.89	1,588	1,682	1,910	A	A	A	A	A	-	-	
	2.39	2.10	1,744	1,837	2,027	A	A	A	A	A	-	-	
	2.86	2.51	2,037	2,130	2,279	A	A	A	A	A	-	-	
R2H	2.07	1.87	1,382	1,416	1,831	A	A	A	A	A	-	-	
	2.35	2.11	1,532	1,566	1,952	A	A	A	A	A	-	-	
	2.60	2.32	1,666	1,700	2,260	A	A	A	A	A	-	-	
	2.72	2.43	1,732	1,766	2,121	A	A	A	A	A	-	-	
	2.91	2.59	1,832	1,866	2,283	A	A	A	A	A	-	-	
	3.28	2.90	2,032	2,066	2,411	A	B	B	A	A	-	-	
	3.60	3.18	2,062	2,096	2,710	B	B	C	A	A	-	-	
	3.80	3.35	2,162	2,196	2,826	B	C	C	A	A	-	-	
R2H+	3.28	2.90	2,032	2,066	2,572	A	B	B	A	A	-	-	
R2S	1.94	1.76	1,350	-	2,268	A	A	A	A	A	-	-	
	2.22	2.00	1,500	-	2,408	A	A	A	A	A	-	-	
	2.59	2.32	1,700	-	2,594	A	A	A	A	A	-	-	
	2.78	2.48	1,800	-	2,736	A	A	A	A	A	-	-	
	3.15	2.79	2,000	-	2,922	A	B	C	A	A	-	-	
R2X	1.94	1.76	1,370	-	2,485	A	A	A	A	A	-	-	
	2.22	2.00	1,520	-	2,649	A	A	A	A	A	-	-	
	2.59	2.32	1,720	-	2,930	A	A	B	A	A	-	-	
	2.78	2.48	1,820	-	3,040	A	A	A	A	A	-	-	
ROCK	1.71	1.48	1,572	-	2,075	A	A	A	A	A	-	-	

Track	Fixed Track				C/W (kg)	11,100				
Track Gauge	2,750				Shoe (mm)	600				
Bucket Type	Capacity (m <sup>3</sup> )		Bucket Width (mm)		Weight (kg)	7.1m Boom			6.3m Boom	
	SAE/PCSA	CECE	W/O Cutter	With Cutter		2.9m Arm	3.35m Arm	3.98m Arm	2.4m Arm	2.9m Arm
SLR	0.92	0.81	1,173	1,236	724	-	-	-	-	-
SEMI	1.27	1.10	1,376	1,445	1,094	-	-	-	-	-
SEMI_DC	1.12	0.96	1,500	-	975	-	-	-	-	-
	1.37	1.17	1,800	-	1,116	-	-	-	-	-
GP	2.14	1.89	1,588	1,682	1,910	A	A	A	A	A
	2.39	2.10	1,744	1,837	2,027	A	A	A	A	A
	2.86	2.51	2,037	2,130	2,279	A	A	B	A	A
R2H	2.07	1.87	1,382	1,416	1,831	A	A	A	A	A
	2.35	2.11	1,532	1,566	1,952	A	A	A	A	A
	2.60	2.32	1,666	1,700	2,260	A	A	A	A	A
	2.72	2.43	1,732	1,766	2,121	A	A	B	A	A
	2.91	2.59	1,832	1,866	2,283	A	B	B	A	A
	3.28	2.90	2,032	2,066	2,411	B	B	C	A	A
	3.60	3.18	2,062	2,096	2,710	C	C	D	A	A
	3.80	3.35	2,162	2,196	2,826	C	D	D	A	A
R2H+	3.28	2.90	2,032	2,066	2,572	B	C	C	A	A
R2S	1.94	1.76	1,350	-	2,268	A	A	A	A	A
	2.22	2.00	1,500	-	2,408	A	A	A	A	A
	2.59	2.32	1,700	-	2,594	A	A	B	A	A
	2.78	2.48	1,800	-	2,736	A	B	B	A	A
	3.15	2.79	2,000	-	2,922	B	C	C	A	A
R2X	1.94	1.76	1,370	-	2,485	A	B	C	A	A
	2.22	2.00	1,520	-	2,649	C	C	D	A	A
	2.59	2.32	1,720	-	2,930	C	D	D	A	A
	2.78	2.48	1,820	-	3,040	A	A	A	A	A
ROCK	1.71	1.48	1,572	-	2,075	A	A	A	A	A

Based on ISO 10567 and SAE J296, arm length without quick change clamp  
A : Suitable for materials with density of 2,100kg/m<sup>3</sup> (3,500 lb/yd<sup>3</sup>) or less  
B : Suitable for materials with density of 1,800kg/m<sup>3</sup> (3,000 lb/yd<sup>3</sup>) or less

C : Suitable for materials with density of 1,500 kg/m<sup>3</sup> (2,500 lb/yd<sup>3</sup>) or less  
D : Suitable for materials with density of 1,200 kg/m<sup>3</sup> (2,000 lb/yd<sup>3</sup>) or less  
X : Not recommended



# STANDARD & OPTION

## STANDARD EQUIPMENT

### Boom & Arm

---

- 6.3 m Boom
- 2.9 m Arm (HD)

### Hydraulic system

---

- Boom and arm flow regeneration
- Boom and arm holding valves(MCV)
- Swing anti-rebound valves
- Spare ports (Control valve)
- One-touch power boost

### Cabin & Interior

---

- All weather sound suppressed type cab
- Air conditioner & Heater
- Adjustable suspension seat with head rest and adjustable arm rest
- Pull-up type front window and removable lower front window
- Room light
- Intermittent windshield wiper
- Cup holder
- Hot & Cool box
- LCD color monitor panel (8" touch screen)
- E/G RPM control dial
- AM/FM radio + MP3 (USB)
- 24V power socket
- Serial communication port for laptop PC interface
- Joystick lever with 3 buttons
- Fabric seat
- Plastic roof cover

### Safety

---

- Large handrails and step
- Convex metal anti-slip plates
- Seat belt
- Hydraulic safety lock lever
- Safety glass
- Hammer for emergency escape
- Right and left mirrors
- Handrail

### Others

---

- Double element air cleaner
- Additional water separator
- Dry type pre cleaner
- Dust screen for radiator/oil cooler
- Engine overheat prevention system
- Engine restart prevention system
- Self-diagnostic system
- Electric horn
- Halogen working lights (frame mounted 1, boom mounted 2)
- Hydraulic track adjuster
- Normal track guard
- Greased and sealed track link
- Hydraulic oil tank air breather filter
- 3.9m Retracted Track
- Counterweight (11.1 Ton)
- Single Catwalk
- 600 TG Shoe

## OPTIONAL EQUIPMENT

Some of optional equipments may be standard in some markets. Some of this optional equipment is not available in some markets. You must check with the local Develon dealer to know about the availability or to release the adaptation following the needs of the applications

### Boom & Arm

---

- 7.1 m Boom
- 7.1 m Boom (HD)
- 9.0 m Boom
- 9.0 m Boom (For SLR)
- 11.0 m Boom
- 11.0 m Boom (For SLR)
- 2.4 m Arm (HD)
- 3.35 m Arm
- 3.35 m Arm (HD)
- 3.98 m Arm
- 6.0 m Arm
- 6.0 m Arm (For SLR)
- 8.0 m Arm
- 8.0 m Arm (For SLR)

### Safety

---

- Boom and arm hose rupture protection valve
- Overload warning device
- ROPS Cabin
- FOGS (ISO 10262, FOGS standard)
- Alarm (Travel, Swing, QC)
- Rotating beacon
- LED lights
- Camera
  - Rear View Camera
  - Side & Rear View Camera
  - Around View Monitor
- Seat belt warning
- Side protector
- Cabin front guard (Upper and lower guard)

### Cabin & Interior

---

- Air suspension seat
- Rain Shield
- High seat Mount
- Breaker pedal
- Steel roof cover
- Additional mirror
- DAB Audio
- Rear sun visor
- Artificial leather seat cover
- Heating & cooling seat

### Others

---

- Piping option
  - Piping for Rotating (PERO)
  - Piping for Two way
  - Piping for Breaker
  - Piping for Quick clamp
- Shoe (mm)
  - 600 DG / 750 TG / 800 TG / 900 TG
- Lower wiper
- Fuel filler pump
- Additional work lamp (HAL or LED)
  - 4-front / 2-rear on cabin
  - 2-front on cabin
- Hydraulic Oil
  - Cold weather (VG32)
  - Tropical weather (VG68)
- Breaker filter
- Water separator
  - Water separator with heater
  - Water separator for BIO diesel
- Heavy duty under cover
- Long & Fixed track
- Straight Travel
- Electric Transfer Pump
- Auto greasing unit
- Air compressor
- Track guard (Full)
- Microphone
- Oil washed pre-cleaner
- Additional 12 V socket
- Develon Fleet Management